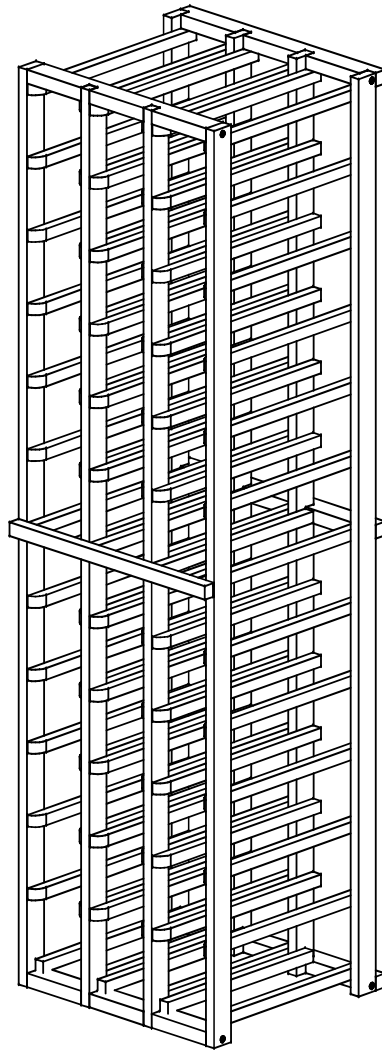




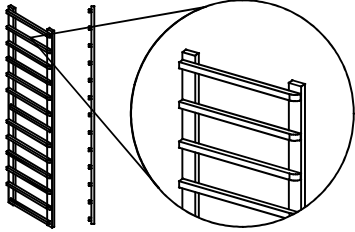
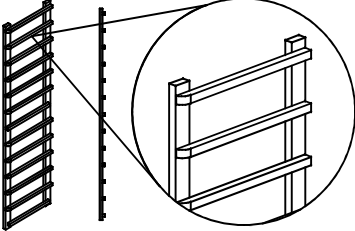
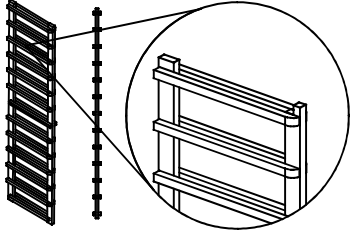
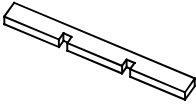
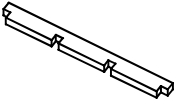
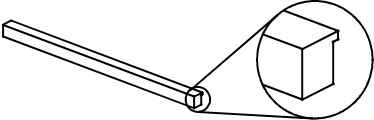
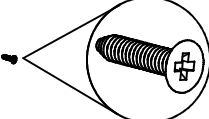
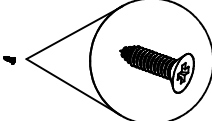
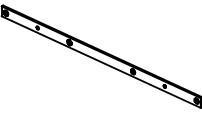
ASSEMBLY INSTRUCTIONS

N'FINITY STACKABLE 3 COLUMN INDIVIDUAL RACK



WineEnthusiast.com
800.356.8466

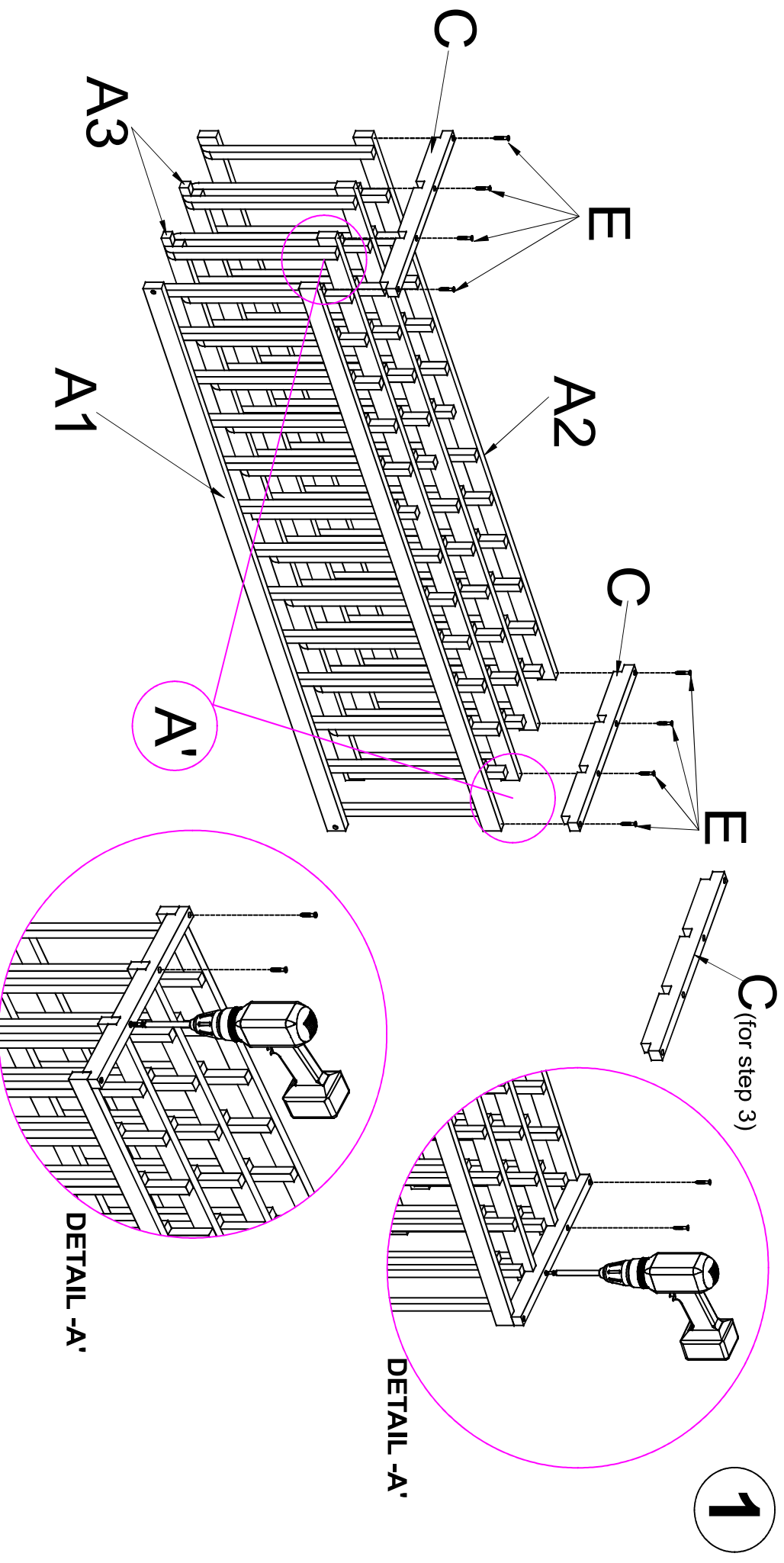
N'FINITY STACKABLE 3 COLUMN INDIVIDUAL RACK PARTS & HARDWARE

CODE	DESCRIPTION	QTY	SKETCH DRAWING
A1	Left ladder	1 pcs	
A2	Right ladder	1 pcs	
A3	Center ladder	2 pcs	
B	Top And Bottom Front Bar	2 pcs	
C	Top, Center & Bottom Back Bar	3 pcs	
D	Center Front Trim	1 pcs	
E	1- $\frac{1}{4}$ " #8 screw	24 pcs	
F	$\frac{1}{2}$ " #6 screw	6 pcs	
G	Metal Front Support	1 pcs	

Note:

Phillips Head screwdriver, electric screwdriver or electric drill required for assembly. Electric screwdriver is the preferred choice for ease of assembly. When using electric drill or electric screwdriver, do not overtighten screws to minimize the risk of wood splitting.

N'FINITY STACKABLE 3 COLUMN INDIVIDUAL RACK ASSEMBLY INSTRUCTIONS

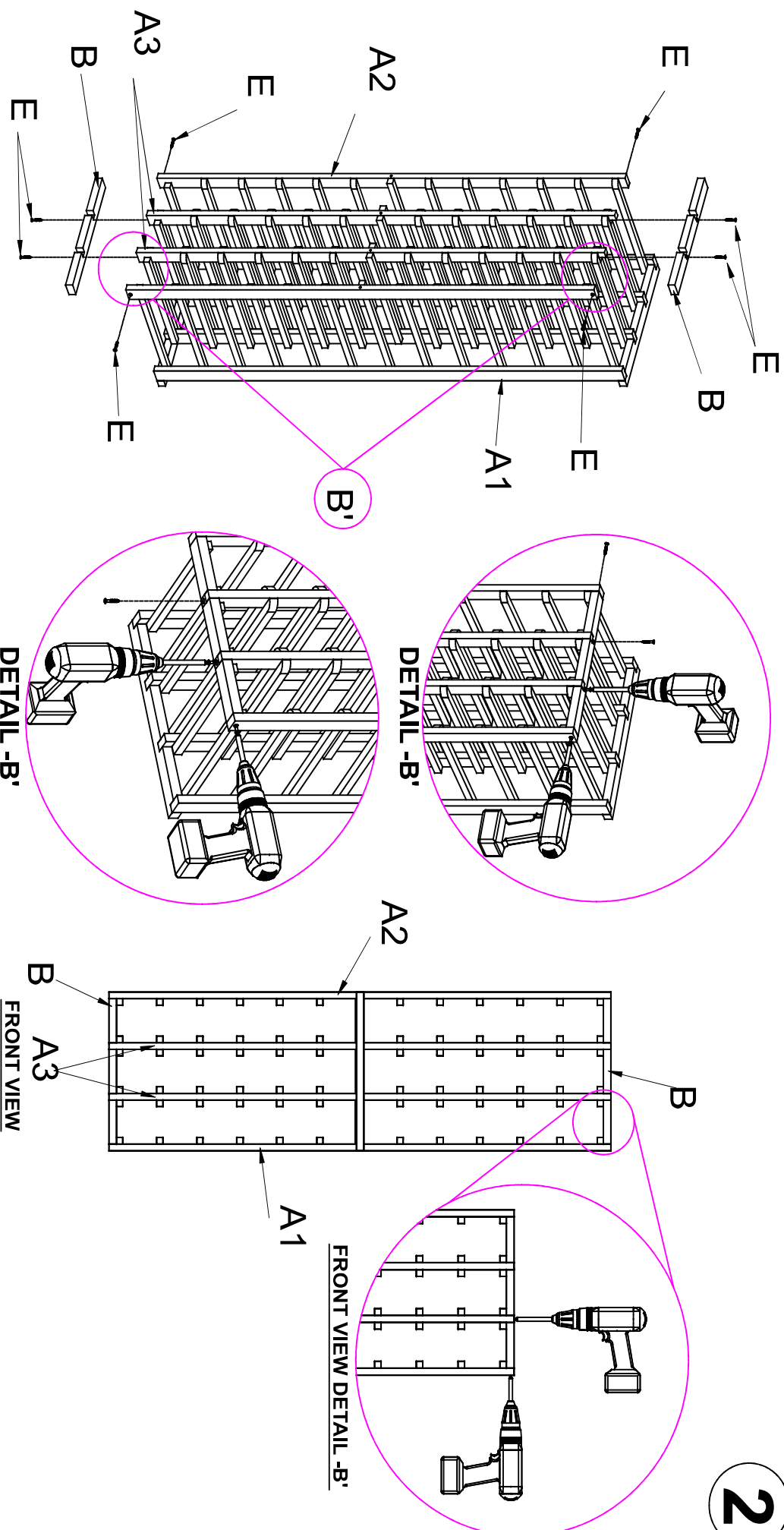


1. It is easiest to assemble lying horizontally. Attach top back bar (C) and bottom back bar (C) to left ladder(A1), right ladder (A2), and center ladder (A3) using 8 screws (E). (See detail -A' for clarification). Set aside back center bar (C) for step 3.

NFINITY STACKABLE 3 COLUMN INDIVIDUAL RACK

ASSEMBLY INSTRUCTIONS

2

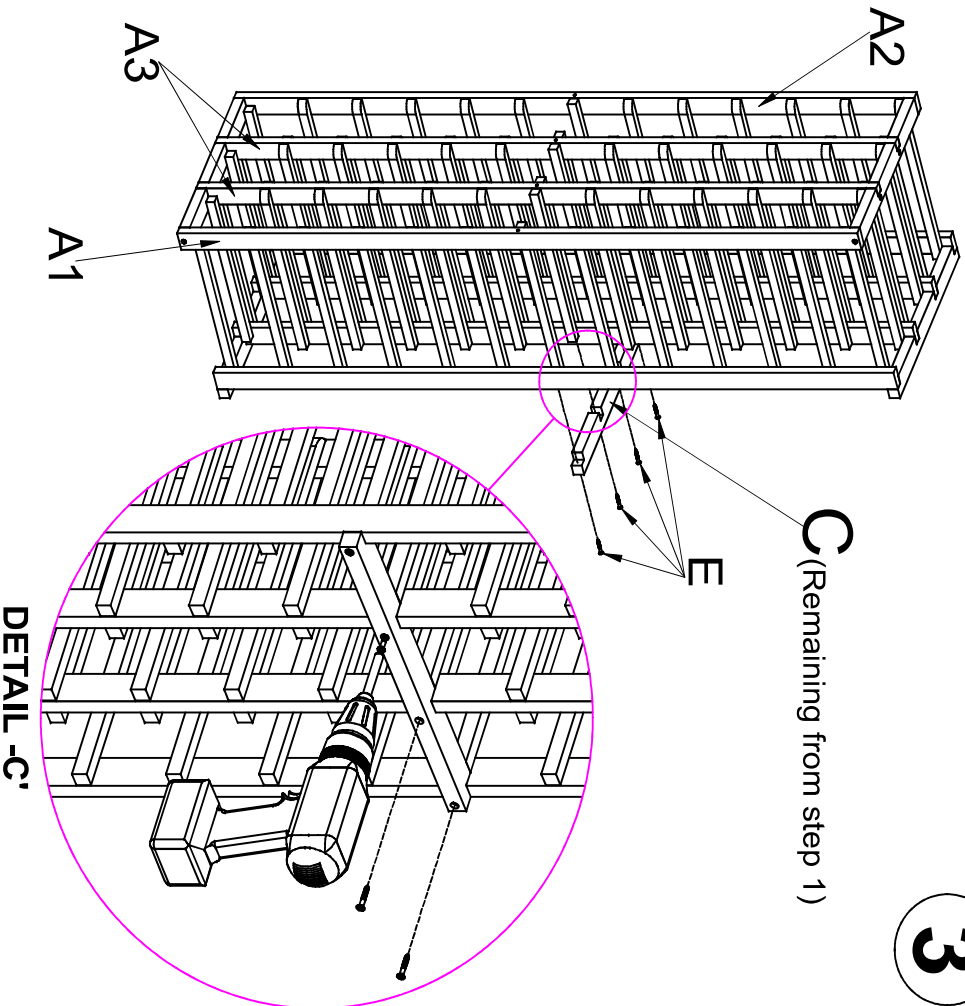


2. Stand rack vertically upright. Attach top front bar (B) and bottom front bar (B) to front side of left ladder (A1), right ladder (A2), and center ladder (A3) using 8 screws (E). (See detail -B' for clarification).

N'FINITY STACKABLE 3 COLUMN INDIVIDUAL RACK

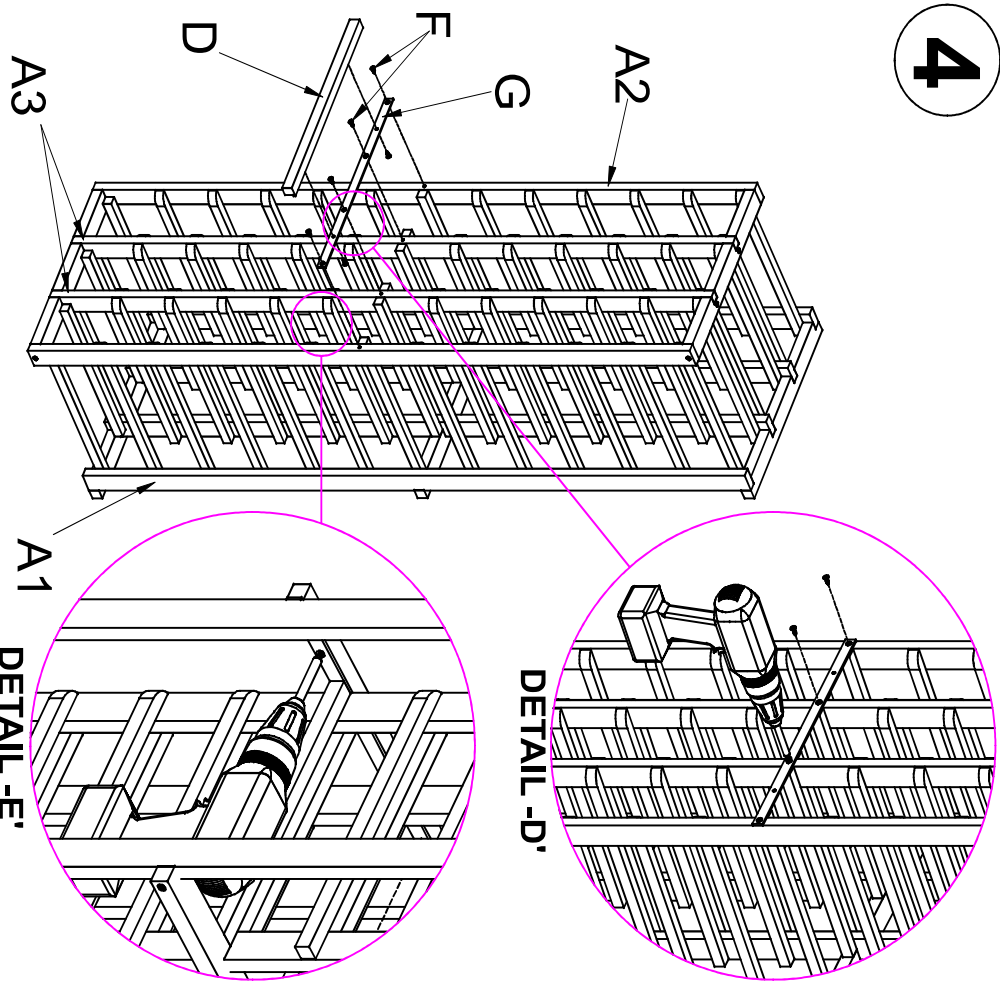
ASSEMBLY INSTRUCTIONS

3



3. Attach center back bar (Remaining C) to back side of left ladder (A1), right ladder (A2), and center ladder (A3) using 4 screws (E). (See detail -C' for clarification).

4



4. Attach metal front support (G) to front side of left ladder (A1), right ladder (A2) and center ladder (A3) with 4 screws (F). (See detail -D' for clarification). Next, attach center front trim (D) to metal front support with 2 screws (E). (See detail -E' for clarification).

N'FINITY STACKABLE 3 COLUMN INDIVIDUAL RACK

COMPLETED ASSEMBLY SHOWN

